

Merlin

POWERED BY myQ



Commander Extreme

DESIGNED FOR EXTREME WEATHER CONDITIONS & HEAVY CUSTOM DOORS



RESIDENTIAL SECTIONAL GARAGE DOOR OPENER

MYQ & BATTERY BACKUP CAPABLE

KEY FEATURES

POWERFUL LED LIGHTING

Illuminate your garage corner-to-corner.

MYQ CAPABLE

Opener is myQ capable with additional purchase of Safety IR Beams & myQ Gateway.¹

BATTERY BACKUP COMPATIBLE

Opener is Battery Backup compatible with additional purchase of Battery Backup accessory.



Compliant to Australian and New Zealand Standard AS/NZS 60335-2-95

SMART



MYQ CAPABLE TECHNOLOGY lets users create schedules, monitor, receive alerts and control the garage door opener away from home.¹



SOFT-START AND SOFT-STOP for smooth operation.

QUIET & RELIABLE



7-YEAR WARRANTY



QUIET DC MOTOR eliminates noise and vibrations through the ceiling and provide smooth operation.



HEAVY-LIFTING POWER operates doors up to 150 kg / 286 kg.³



BATTERY BACKUP ensures access even when the power is out.²

SAFE & SECURE



SECURITY+ 2.0[®] sends a new code with every remote click.



PREMIUM AUTOMATIC SAFETY REVERSE function will allow your garage door to stop and reverse automatically if obstructed going down or stop going up.



TIMER-TO-CLOSE automatically closes the door after a pre-set amount of time.⁴



IMPROVED TRANSMITTER RANGE has up to 18% better range meaning you can start opening your garage door sooner.⁵



AUTOMATIC FORCE SENSING monitors and adjusts the force needed to open your garage with each operation.



MANUAL RELEASE CORD allows you to open your garage door whenever needed.

ACCESSORIES INCLUDED



FOUR BUTTON REMOTE CONTROLS

Premium remotes to control up to 4 garage doors or gates. Each button can be programmed to Security+ and Security+ 2.0 devices.

E970M



FOUR BUTTON WIRELESS WALL MOUNT REMOTE CONTROL

4 button wall remote to control garage doors, gates and myQ Remote LED Light. Easily programmed to Security+ and Security+ 2.0 devices.

E148M

POWERFUL ADD-ONS



MYQ CONNECTIVITY BUNDLE

Add monitoring and control away from home. Includes myQ Gateway and The Protector System™ (Safety IR Beams).

M828AU774



MYQ REMOTE LED LIGHT

Ultra-bright LED light designed to illuminate your garage or workspace. Controlled by a garage door opener, remote control or myQ App.

827AU



BATTERY BACKUP

Get in and out when the power's out with Battery Backup.

M-BBU24V



WIRELESS SECURITY KEYPAD

Convenient and safe access to your garage without using a remote control or key.

E840M



FOUR BUTTON CAR VISOR REMOTE CONTROL

Easily attaches to your car visor to control up to 4 garage doors or gates. Can be programmed to Security+ and Security+ 2.0 devices.

E964M

gomerlin.com.au ■ gomerlin.co.nz

¹Additional purchase of Merlin myQ Gateway and Safety IR Beam accessories required to enable myQ functionality. Visit gomerlin.com.au or gomerlin.co.nz for further information. ²Additional purchase of Merlin Battery Backup accessory required to enable Battery Backup functionality. Visit gomerlin.com.au or gomerlin.co.nz for further information. ³286 kg door rating is based on having installation of Safety IR Beams. ⁴Safety IR Beams must be installed to enable the use of Timer-to-Close. See User Guide for additional information. Smartphone not included. ⁵When compared to other available Merlin products.

Commander Extreme

DESIGNED FOR EXTREME WEATHER CONDITIONS & HEAVY CUSTOM DOORS

MS125MYQ



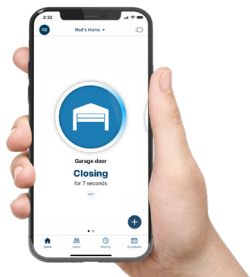
RESIDENTIAL SECTIONAL GARAGE DOOR OPENER

MYQ & BATTERY BACKUP CAPABLE

Works with myQ² smart technology

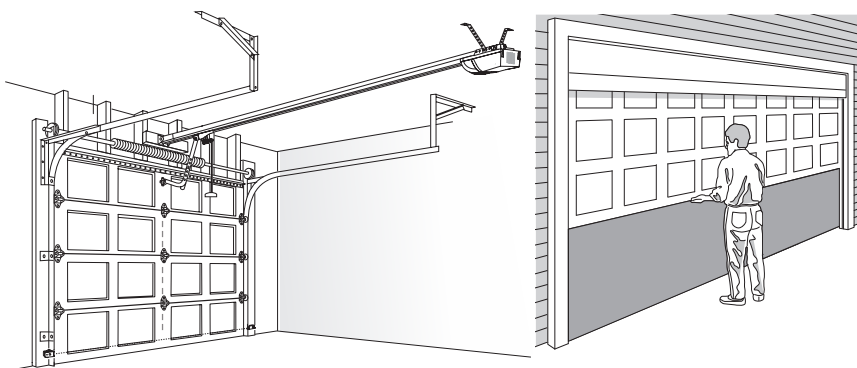
Additional purchase of The myQ Connectivity Kit is required

APP AVAILABLE ON:

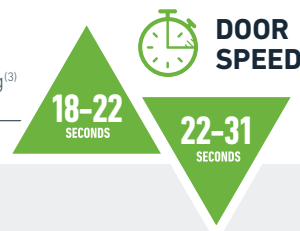


- Set real time notifications to alert you when your garage opens, closes or is left open.
- Monitor and control your garage door from anywhere.
- Share limited guest access with five people you trust.
- Pre-set scheduling to close your garage door at a certain time.
- Protect your loved ones and belongings with The Protector System™ (Safety IR Beams).
- Peace of mind knowing if your garage door is open or closed anywhere and any time.

TYPICAL INSTALLATION - SECTIONAL DOORS



- Maximum lifting under spring tensions 20 kg
- Suitable for steel and timber spring balanced doors
- Total door area: 20m²
- Single dwelling, max door weight up to 150 kg / 286 kg⁽³⁾



SECURITY



SECURITY+ 2.0[®]

- Encrypted rolling code across multiple frequencies.
- Security+ 2.0[®] technology virtually eliminates interference.

SMART



RADIO

- Provides 2-way communication from rolling door opener and accessories.
- Receiver with 64 memory registers.

ELECTRICAL



LIGHTING: LED LIGHTING

- LED light turns on with activation.
- Turns off 2.5 minutes after operation.

STANDARD SPECIFICATIONS

- Input voltage: 240V AC
- Rated door areas up to: 20m²
- Max door height: 3.5m
- Max door weight: 150 kg / 286 kg⁽³⁾
- Max peak pulling force: 1200N
- Max lift under spring tension: 20 kg
- Radio frequency: 433.30, 433.92, 434.54 MHz with Security+ 2.0 technology
- Minimum headroom required: 30mm
- C-rail with chain drive
- 24C DV motor with thermal overload protection
- Lighting: LED Lighting
- Garage Door Opener Capacity of up to 64 memory registers
- Compatible with myQ technology²

Merlin[®]



AUSTRALIA

Chamberlain Australia Pty Ltd
PO Box 1446
Lane Cove NSW 1595
Australia

gomerlin.com.au
1800 638 234

NEW ZEALAND

Chamberlain New Zealand Ltd
PO Box 100-221
North Shore
Auckland 0745
New Zealand

gomerlin.co.nz
0800 653 667

Engineered and designed by The Chamberlain Group, Inc.
©2021 The Chamberlain Group, Inc.™ Trademark of The Chamberlain Group, Inc.
® Registered Trademark of The Chamberlain Group, Inc.

¹Based upon a 2.4m high door. ²This feature requires monitored Safety IR Beams to be fitted. Linking your myQ account to partner may require an additional accessory purchase or subscription fee. ³286 kg door rating is based on having installation of Safety IR Beams. Apple, the Apple logo, iPhone, and iPad are trademarks of Apple Inc., registered in the U.S. and other countries and regions. App Store is a service mark of Apple Inc. Google Play and the Google Play logo are trademarks of Google LLC.

